



Walter Potthoff GmbH
Präzision in Kunststoff

FASTENING ELEMENTS FOR SURFACE FINISHING Eloclamp® / Eloclip®

Issue date: 22.11.2016
Version 12



Walter Potthoff GmbH
Friedrich-Ebert-Str. 306-314
58566 Kierspe
Deutschland

Internet: www.w-potthoff.de
Email: info@w-potthoff.de
Phone: +49 2359 29381-0
Telefax: +49 2359 29381-68

About us

Walter Potthoff GmbH is a family-run system and component supplier of plastic products for the medical technology, electrical engineering, food and finishing industries.

Following the principle of sustainability, our modern technology company offers our customers tailor-made production solutions in the field of plastic processing. We are in possession of the latest certifications for quality management (DIN EN ISO 9001), energy management (DIN EN ISO 50001) and environmental management (DIN EN ISO 14001).

We manufacture clamping elements made of plastic for use in aggressive media by our customers in the galvanising and anodising industry. We market anode clamps and clips under the brand names of **Eloclamp®** and **Eloclip®**; these are designed to securely fix your components for the finishing process while at the same time satisfying the extreme requirements of anodising and galvanising technology, thanks to their very high chemical and temperature resistance.

Our products

Brackets



Spindle-tips

Standard



Ceramic



Titanium



Eloclamp®

- ❖ Spindle-activated clamping element comprising a bracket and a threaded spindle.
- ❖ Able to withstand high preload forces.
- ❖ Available in a choice of sizes.
- ❖ Spindle can be made upon request with a titanium or ceramic tip to reduce the contact area.

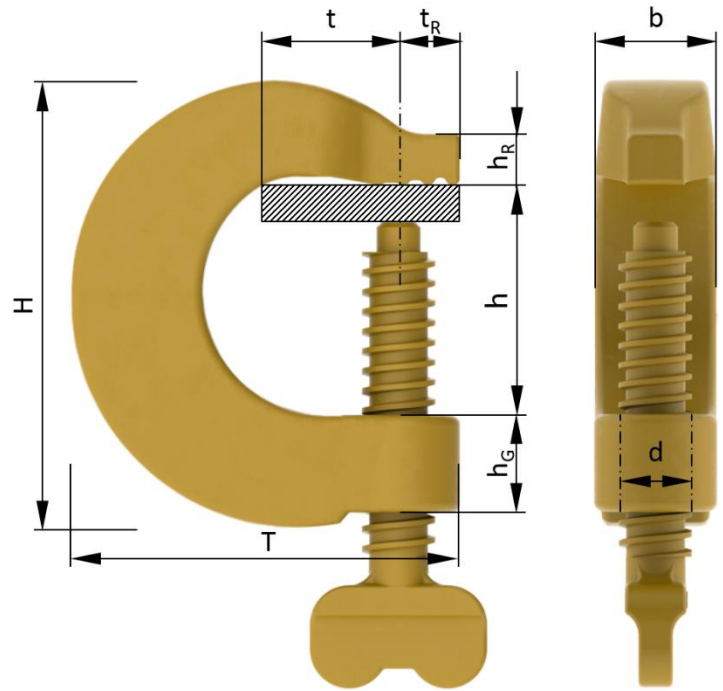


Eloclips®

- ❖ Spring-loaded clamping element, comprising a clamp and a pressure-loaded coil spring.
- ❖ For easy and quick clamping of components.
- ❖ Preload force increases linearly with the thickness of the clamped components.
- ❖ Preload force remains constant even over extended periods and at high temperatures.

Geometric parameters: bracket

Bracket form A Bracket form B Bracket form C



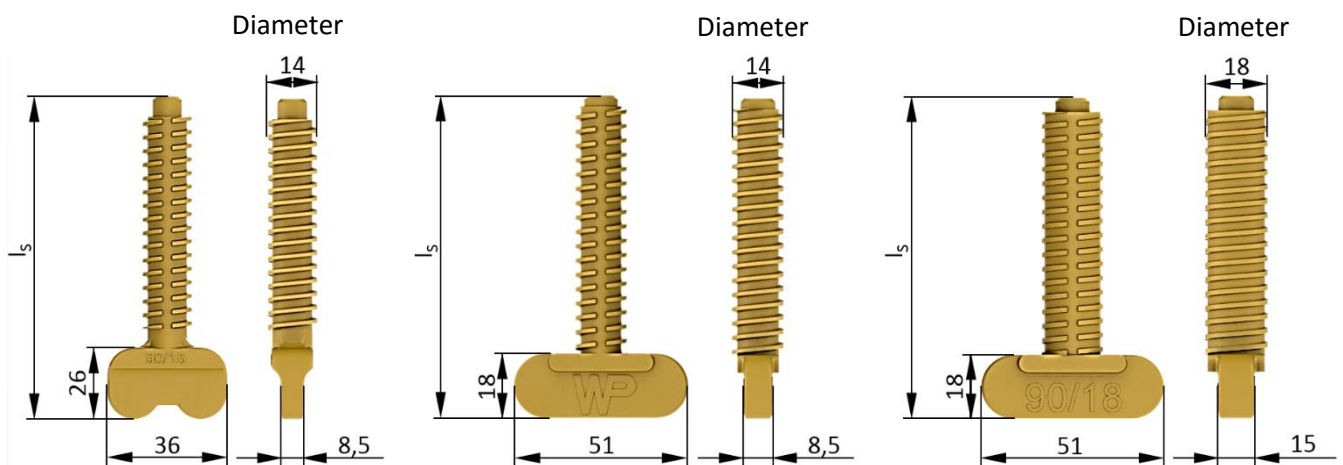
	Bracket-form	h [mm]	d [mm]	h _G [mm]	h _R [mm]	t [mm]	t _R [mm]	b [mm]	H [mm]	T [mm]
35	C	35	14	20	6,5	17	12,5	23	80	60
45	A	45	14	20	10,5	26	9	25	90	79
45	B	45	14	20	11	25	12,5	25	95	74
65	A	65	14	20	10,5	26	9	25	110	79
85	A	85	14	20	10,5	26	9	25	130	79
85	C	85	18	25	12,5	42	9	30	152	87
105	C	105	18	25	12,5	42	9	30	172	87
125	C	125	18	25	12,5	42	9	30	192	87

Geometric parameters: Spindle

Spindle Type A

Spindle Type B

Spindle Type C



❖ Only brackets and spindles of the same diameter can be combined.

❖ Ordering information

- ❖ Anode clamps and spindles are supplied unassembled.
- ❖ The two elements can be supplied assembled upon request for an extra charge.
- ❖ A minimum-quantity surcharge is made on order quantities below the sales unit.

Anode clamp – Eloclamp® bracket

Eloclamp® size	Bracketform	Designation	Colour	Thread diameter d	Sales unit	Art.-No.
35	C	35C	Natural	14	200 pcs.	22880350
45	A	45A	Natural	14	200 pcs.	22880450
45	B	45B	Natural	14	200 pcs.	22880451
65	A	65A	Natural	14	100 pcs.	22880650
85	A	85A	Natural	14	100 pcs.	22880851
85	C	85C	Natural	18	100 pcs.	22880850
105	C	105C	Natural	18	100 pcs.	22881050
125	C	125C	Natural	18	100 pcs.	22881250

Eloclamp® spindle – standard

Spindle-length I _s	Spindle-type	Spindle-tip	Designation	Colour	Diameter d	Sales unit	Art.-No.
60	A	Standard	60AS	Natural	14	100 pcs.	22890600
80	A	Standard	80AS	Natural	14	100 pcs.	22890800
90	A	Standard	90AS	Natural	14	100 pcs.	22890900
110	A	Standard	110AS	Natural	14	100 pcs.	22891100
60	B	Standard	60BS	Natural	14	100 pcs.	22890610
80	B	Standard	80BS	Natural	14	100 pcs.	22890810
90	B	Standard	90BS	Natural	14	100 pcs.	22890910
110	B	Standard	110BS	Natural	14	100 pcs.	22891110
90	C	Standard	90CS	Natural	18	100 pcs.	22890930
110	C	Standard	110CS	Natural	18	100 pcs.	22891130

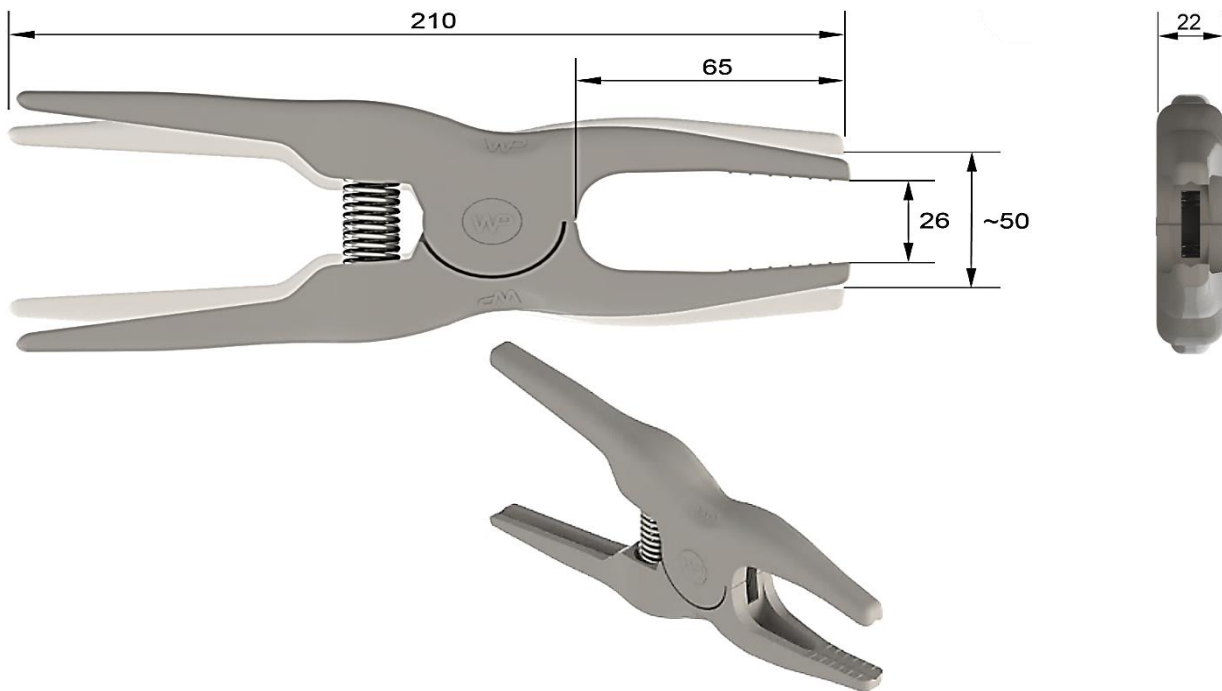
Eloclamp® spindle – Ceramic

Spindle-length l _s	Spindle-type	Spindle-tip	Designation	Colour	Diameter d	Sales unit	Art.-No.
60	A	Ceramic	60AK	Green	14	100 pcs.	22890601
80	A	Ceramic	80AK	Green	14	100 pcs.	22890801
90	A	Ceramic	90AK	Green	14	100 pcs.	22890901
110	A	Ceramic	110AK	Green	14	100 pcs.	22891101
60	B	Ceramic	60BK	Green	14	100 pcs.	22890611
80	B	Ceramic	80BK	Green	14	100 pcs.	22890811
90	B	Ceramic	90BK	Green	14	100 pcs.	22890911
110	B	Ceramic	110BK	Green	14	100 pcs.	22891111
90	C	Ceramic	90CK	Green	18	100 pcs.	22890931
110	C	Ceramic	110CK	Green	18	100 pcs.	22891131

Eloclamp® spindle – Titanium

Spindle-length l _s	Spindle-type	Spindle-tip	Designation	Colour	Diameter d	Sales unit	Art.-No.
60	A	Titanium	60AT	Grey	14	100 pcs.	22890602
80	A	Titanium	80AT	Grey	14	100 pcs.	22890802
90	A	Titanium	90AT	Grey	14	100 pcs.	22890902
110	A	Titanium	110AT	Grey	14	100 pcs.	22891102
60	B	Titanium	60BT	Grey	14	100 pcs.	22890612
80	B	Titanium	80BT	Grey	14	100 pcs.	22890812
90	B	Titanium	90BT	Grey	14	100 pcs.	22890912
110	B	Titanium	110BT	Grey	14	100 pcs.	22891112
90	C	Titanium	90CT	Grey	18	100 pcs.	22890932
110	C	Titanium	110CT	Grey	18	100 pcs.	22891132

Eloclip® anode clamps



Eloclip®-size	Colour	Sales unit	Art.-No.
50	Grey	50 pcs.	22850500

Contact

- ❖ If you wish to place an order or if you have any questions, please contact us at any time:
- ❖ Alexander Jänisch ❖ Tel.: +49 2359 29381-0 ❖ order@w-potthoff.de ❖ www.w-potthoff.de

Order form: Page 1 of 2

Contact

❖ Alexander Jänisch ❖ Tel.: +49 2359 29381-0 ❖ Fax: +49 2359 29381-68 ❖ order@w-potthoff.de

Client/invoice address

Firm
Address
Postcode, town
Country
Contact
Tel. / Fax
Email

Delivery address, if different

Firm
Address
Postcode, town
Country

Order form for brackets

Art.-No.	Eloclamp® size	Bracket form	Diameter	Quantity in pcs.	Delivery date
22880350	35	C	14		
22880450	45	A	14		
22880451	45	B	14		
22880650	65	A	14		
22880851	85	A	14		
22880850	85	C	18		
22881050	105	C	18		
22881250	125	C	18		

Order form for Spindles

Art.-No.	Spindle-length I _s	Spindle-type	Spindle-tip	Diameter	Quantity in pcs.	Delivery date
22890600	60	A	Standard	14		
22890800	80	A	Standard	14		
22890900	90	A	Standard	14		
22891100	110	A	Standard	14		
22890610	60	B	Standard	14		
22890810	80	B	Standard	14		
22890910	90	B	Standard	14		
22891110	110	B	Standard	18		
22890930	90	C	Standard	18		
22891130	110	C	Standard	18		

Order form: Page 2 of 2

Contact

❖ Alexander Jänisch ❖ Tel.: +49 2359 29381-0 ❖ Fax: +49 2359 29381-68 ❖ order@w-potthoff.de

Art.-No.	Spindle-length l_s	Spindle-type	Spindle-tip	Diameter	Quantity in pcs.	Delivery date
22890601	60	A	Keramik	14		
22890801	80	A	Keramik	14		
22890901	90	A	Keramik	14		
22891101	110	A	Keramik	14		
22890611	60	B	Keramik	14		
22890811	80	B	Keramik	14		
22890911	90	B	Keramik	14		
22891111	110	B	Keramik	14		
22890931	90	C	Keramik	18		
22891131	110	C	Keramik	18		
22890602	60	A	Titan	14		
22890802	80	A	Titan	14		
22890902	90	A	Titan	14		
22891102	110	A	Titan	14		
22890612	60	B	Titan	14		
22890812	80	B	Titan	14		
22890912	90	B	Titan	14		
22891112	110	B	Titan	14		
22890932	90	C	Titan	18		
22891132	110	C	Titan	18		

Order form for Eloclip® anode clips

Art.-No.	Eloclip® size	Quantity in pcs.	Delivery date
22850500	50		